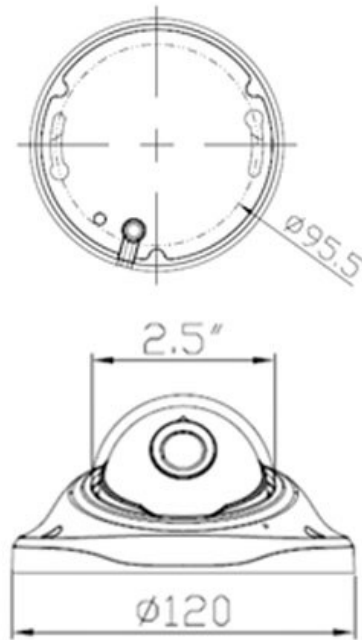


**CP- ENC-V21L3****2MP Full HD IR Vandal Dome Camera - 30Mtr.****Main Features**

- 1/2.7" 2MP CMOS Image Sensor
- Max 25fps@2MP
- H.265/ H.264 Video Compression
- DWDR, Day/Night (ICR), AWB, AGC, BLC
- 3.6mm lens (6mm optional)
- IR Range of 30 Mtrs, IP66
- Mobile Software: RMOB
- CMS Software: RVMS



# CP- ENC-V21L3

2MP Full HD IR Vandal Dome Camera - 30Mtr.



## Feature

Image Sensor  
Minimum Illumination  
White Balance  
Gain Control (AGC)  
Lens  
Back Light Compensation  
Video Compression  
Video Streaming  
Resolution  
Frame Rate  
WDR  
Protocol  
Ethernet  
Smart Phone  
IR  
Operating Temperature  
Power Source  
Weatherproof Standard  
Dimension  
Weight

## Specification

1/2.7" 2MP CMOS Image Sensor  
0.01Lux@F1.2(Color)/0.001Lux@F1.2(B/W)  
Auto/Manual  
Auto/Manual  
3.6mm lens(6mm optional)  
Auto/Manual  
H.265 / H.264  
Dual Stream  
1080P(1920×1080) / 720P(1280×720) / D1(704×576) / CIF(352×288)  
Main Stream : 1080P@25fps , Sub-Stream: D1  
DWDR  
ONVIF Support (profile S)  
RJ-45 (10/100Base-T)  
iPhone, iPad, Android  
IR Range of 30 Mtr.  
-20°C~+65°C  
DC12V±10%, PoE  
IP66  
120mm x 62mm  
290g