

# LED CEILING SPOT LIGHT



# LED Ceiling Spot Light



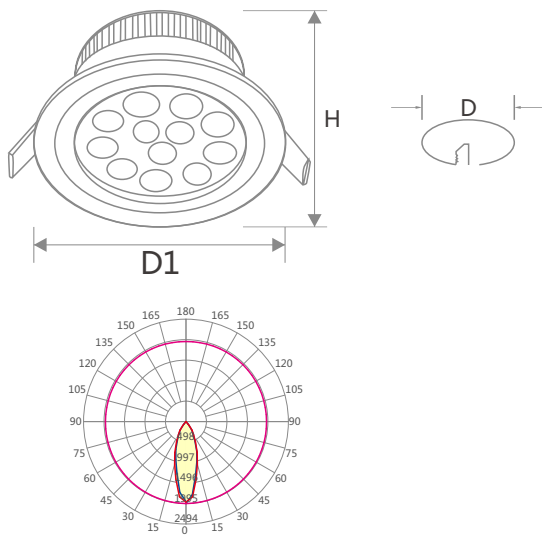
## LED Ceiling Spot Light-01(White)

### Features:

Modern European-style luxury design, various colors are available.  
 Material: die-cast aluminum body, laser-engraved Logo with utmost noble quality.  
 Design: Dilated handle, easy installation.  
 Optical design: Sophisticated optical beehive lens, precise control of light, efficient energy-saving  
 High-end LED chip: Encapsulation by gold thread, 80 percent energy saving.  
 Intelligent IC power supply: Constant current drive, with overload, short-circuit, nder voltage protect.

### Applications:

Household, hotel, villa, shopping mall, meeting room, hospital, office etc.



### Technical parameter

Model No.	Power(W)	Ra	CCT(K)	Dimensions D1×H(mm)	Cutout D(mm)	Lumen(lm)	Input Voltage(V)	Beam Angle (°)
G NEP-TH0100331	3	70	3000	Ø86×51	Ø75	200	AC180-264V	30°
G NEP-TH0100531	5	70	3000	Ø108×51	Ø95	330	AC180-264V	30°
G NEP-TH0100731	7	70	3000	Ø108×51	Ø95	460	AC180-264V	30°
G NEP-TH0100931	9	70	3000	Ø138×51	Ø125	630	AC180-264V	30°
G NEP-TH0101231	12	70	3000	Ø138×51	Ø125	840	AC180-264V	30°
G NEP-TH0101531	15	70	3000	Ø160×60	Ø140	1050	AC180-264V	30°
G NEP-TH0101831	18	70	3000	Ø160×60	Ø140	1250	AC180-264V	30°
G NEP-TH0100341	3	70	4000	Ø86×51	Ø75	200	AC180-264V	30°
G NEP-TH0100541	5	70	4000	Ø108×51	Ø95	330	AC180-264V	30°
G NEP-TH0100741	7	70	4000	Ø108×51	Ø95	460	AC180-264V	30°
G NEP-TH0100941	9	70	4000	Ø138×51	Ø125	630	AC180-264V	30°
G NEP-TH0101241	12	70	4000	Ø138×51	Ø125	840	AC180-264V	30°
G NEP-TH0101541	15	70	4000	Ø160×60	Ø140	1050	AC180-264V	30°
G NEP-TH0101841	18	70	4000	Ø160×60	Ø140	1250	AC180-264V	30°
G NEP-TH0100361	3	70	6000	Ø86×51	Ø75	200	AC180-264V	30°
G NEP-TH0100561	5	70	6000	Ø108×51	Ø95	330	AC180-264V	30°
G NEP-TH0100761	7	70	6000	Ø108×51	Ø95	460	AC180-264V	30°
G NEP-TH0100961	9	70	6000	Ø138×51	Ø125	630	AC180-264V	30°
G NEP-TH0101261	12	70	6000	Ø138×51	Ø125	840	AC180-264V	30°
G NEP-TH0101561	15	70	6000	Ø160×60	Ø140	1050	AC180-264V	30°
G NEP-TH0101861	18	70	6000	Ø160×60	Ø140	1250	AC180-264V	30°

# LED Ceiling Spot Light



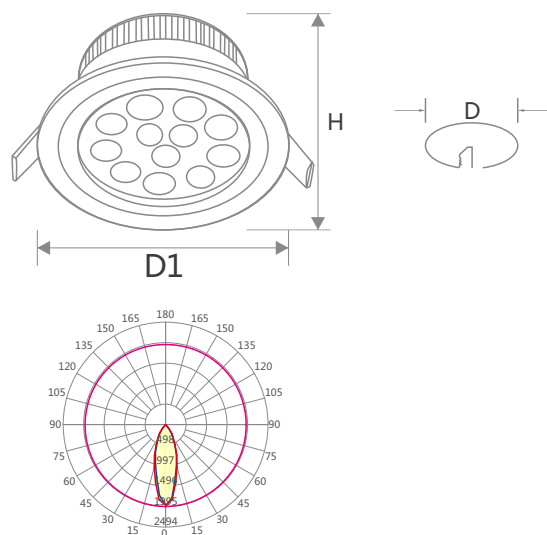
## LED Ceiling Spot Light-02(High Light)

### Features:

Modern European-style luxury design, various colors are available.  
 Material: die-cast aluminum body, laser-engraved Logo with utmost noble quality.  
 Design: Dilated handle, easy installation.  
 Optical design: Sophisticated optical beehive lens, precise control of light, efficient energy-saving  
 High-end LED chip: Encapsulation by gold thread, 80 percent energy saving.  
 Intelligent IC power supply: Constant current drive, with overload, short-circuit, under voltage protect.

### Applications:

Household, hotel, villa, shopping mall, meeting room, hospital, office etc.



### Technical parameter

Model No.	Power(W)	Ra	CCT(K)	Dimensions D1×H(mm)	Cutout D(mm)	Lumen(lm)	Input Voltage(V)	Beam Angle (°)
G NEP-TH0100332	3	70	3000	Ø86×51	Ø75	200	AC180-264V	30°
G NEP-TH0100532	5	70	3000	Ø108×51	Ø95	330	AC180-264V	30°
G NEP-TH0100732	7	70	3000	Ø108×51	Ø95	460	AC180-264V	30°
G NEP-TH0100932	9	70	3000	Ø138×51	Ø125	630	AC180-264V	30°
G NEP-TH0101232	12	70	3000	Ø138×51	Ø125	840	AC180-264V	30°
G NEP-TH0101532	15	70	3000	Ø160×60	Ø140	1050	AC180-264V	30°
G NEP-TH0101832	18	70	3000	Ø160×60	Ø140	1250	AC180-264V	30°
G NEP-TH0100342	3	70	4000	Ø86×51	Ø75	200	AC180-264V	30°
G NEP-TH0100542	5	70	4000	Ø108×51	Ø95	330	AC180-264V	30°
G NEP-TH0100742	7	70	4000	Ø108×51	Ø95	460	AC180-264V	30°
G NEP-TH0100942	9	70	4000	Ø138×51	Ø125	630	AC180-264V	30°
G NEP-TH0101242	12	70	4000	Ø138×51	Ø125	840	AC180-264V	30°
G NEP-TH0101542	15	70	4000	Ø160×60	Ø140	1050	AC180-264V	30°
G NEP-TH0101842	18	70	4000	Ø160×60	Ø140	1250	AC180-264V	30°
G NEP-TH0100362	3	70	6000	Ø86×51	Ø75	200	AC180-264V	30°
G NEP-TH0100562	5	70	6000	Ø108×51	Ø95	330	AC180-264V	30°
G NEP-TH0100762	7	70	6000	Ø108×51	Ø95	460	AC180-264V	30°
G NEP-TH0100962	9	70	6000	Ø138×51	Ø125	630	AC180-264V	30°
G NEP-TH0101262	12	70	6000	Ø138×51	Ø125	840	AC180-264V	30°
G NEP-TH0101562	15	70	6000	Ø160×60	Ø140	1050	AC180-264V	30°
G NEP-TH0101862	18	70	6000	Ø160×60	Ø140	1250	AC180-264V	30°