



## JDM1-48 Counting Relay

### 1. General

JDM1 series counting relay is used as a counting or counting control element in control circuits with an AC frequency of 50Hz/60Hz and a rated control supply voltage of up to 380V and control circuits with a DC rated control supply voltage of up to 240V.

### 2. Type designation

JDM 1 - 48 □ □ □ / □

Rated control supply voltage  
(AC/DC24V~48V, AC/DC100V~240V,  
AC220V, AC380V)

Blank: without power-off memory,  
M: with power-off memory

Number of terminals: 8: 8 pins,  
11: 11 pins (with 12V output for the sensor)

Counting rate:

L: low speed type, 30 times/second

H: high speed type, 200 times/second

Feature code: 6, 9, 14, 48

Design sequence No.

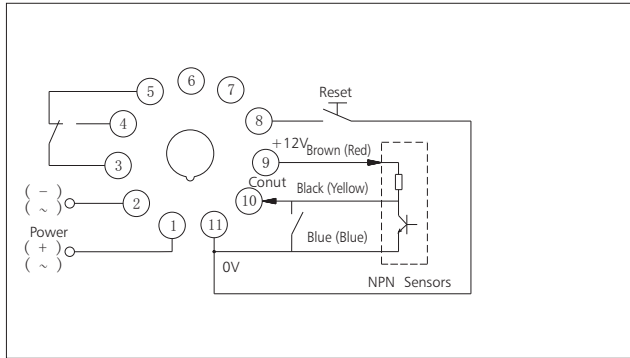
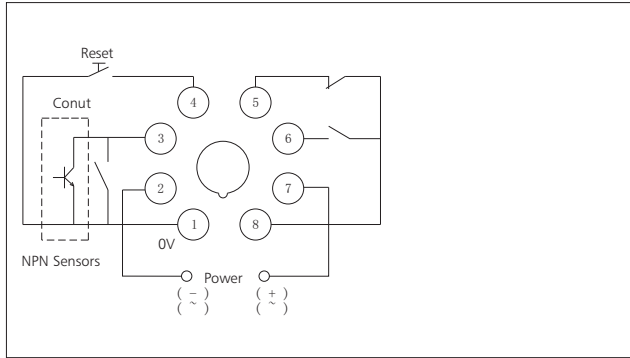
Counting relay

Note: Some models of this product apply to a wide range of operational voltage. For example, an operational voltage of AC/DC24V~48V means that it can operate normally within the voltage range of AC or DC 24V to 48V.

### 3. Technical data

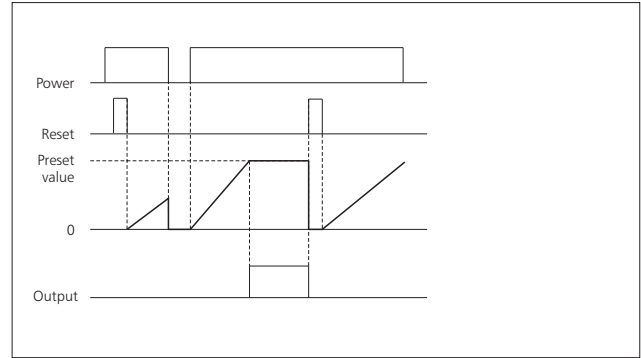
| Operational voltage | 85%-110% of rated voltage AC50Hz/60Hz AC/DC100V-240V  |
|---------------------|---|
| Electrical life     | 1 × 10 <sup>5</sup>   |
| Mechanical life     | 1 × 10 <sup>6</sup>   |
| Output mode         | 1 group of change-over contacts   |
| Contact capacity    | Ue/Ie: AC-15 220V/0.75A, 380V/0.47A;<br>DC-13 220V/0.27A; Ith:3A                            |
| Counting digits     | 4-digit counting relay  |
| Counting rate       | 30 times/second or 200 times/second   |
| Counting mode       | Addition, addition × 10,<br>addition × 100 (subtraction counting<br>available upon request) |
| Input signal        | Contact input, NPN type sensor input<br>(PNP type available upon request)                   |
| Output mode         | N   |
| Ambient temperature | -5°C~+40°C  |
| Power consumption   | ≤ 3VA   |
| Mounting type       | Panel type (with socket for rail mounting)  |
| Overall dimensions  | W58×H52×L128mm  |
| Opening size        | W45.5×H45.5mm   |
| Power-off memory    | More than 10 years<br>(power-off memory type)   |

**4. Wiring diagram**

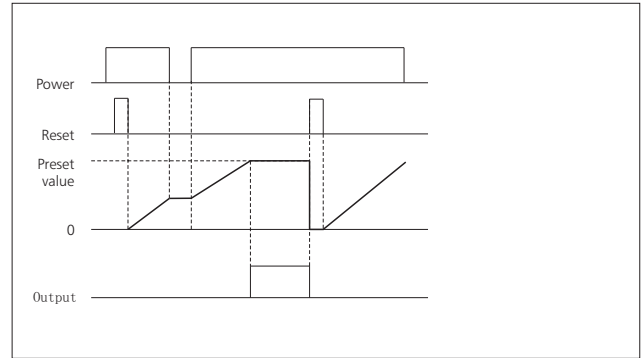


**6. Sequence diagram of counting mode**

JDM1-48 Timing Chart (No blackout memory)



JDM1-48 Timing Chart (With power and memory)



**5. Overall and mounting dimensions (mm)**

